

# DOOR ENTRY SYSTEMS

Video and audio intercom | Access control  
Home automation

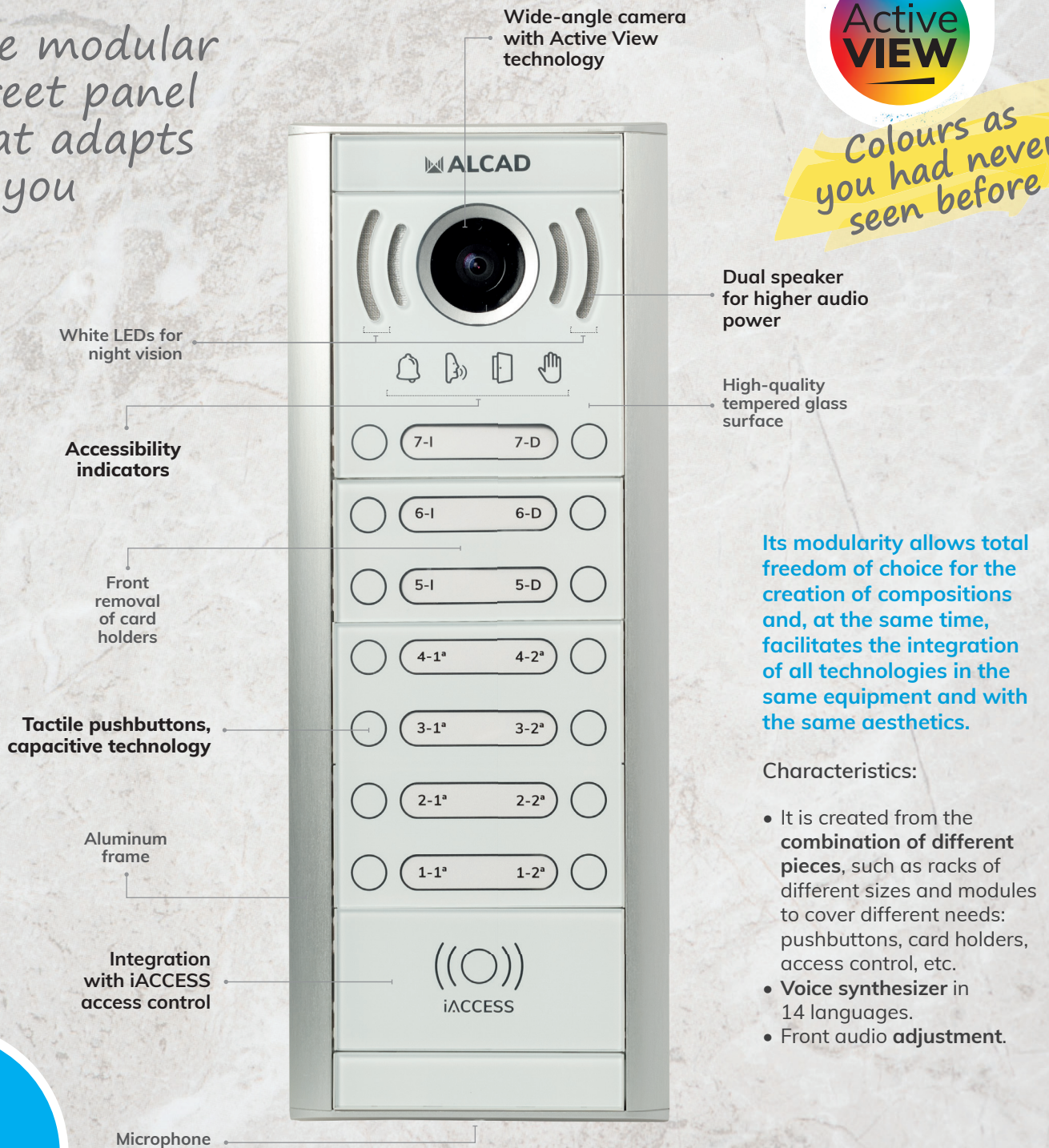


## USOA street panel

*The modular  
street panel  
that adapts  
to you*



*Colours as  
you had never  
seen before*



Its modularity allows total freedom of choice for the creation of compositions and, at the same time, facilitates the integration of all technologies in the same equipment and with the same aesthetics.

### Characteristics:

- It is created from the combination of different pieces, such as racks of different sizes and modules to cover different needs: pushbuttons, card holders, access control, etc.
- Voice synthesizer in 14 languages.
- Front audio adjustment.



# Frames

## / Frames

CODE	MODEL	DESCRIPTION
9710002	FRA-002	2 windows
9710003	FRA-003	3 windows
9710004	FRA-004	4 windows
9710005	FRA-005	5 windows
9710006	FRA-006	6 windows
9710007	FRA-007	7 windows
9710008	FRA-008	8 windows
9710009	FRA-009	9 windows
9710010	FRA-010	10 windows



9710005  
FRA-005



9710009  
FRA-009



9710012  
MVG-000



9710013  
MVG-021



9710015  
MAG-000



9710014  
MAG-011

# Complete modules

## / Audio and video modules

CODE	MODEL	DESCRIPTION
<b>2 windows</b>		
9710012	MVG-000	Audio and video module
9710011	MVG-011	Audio and video module with 1 button
9710013	MVG-021	Audio and video module with 2 buttons

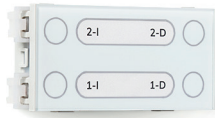
## / Audio modules

CODE	MODEL	DESCRIPTION
<b>2 windows</b>		
9710015	MAG-000	Audio module
9710014	MAG-011	Audio module with 1 button
9710016	MAG-021	Audio module with 2 buttons





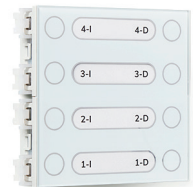
9710017  
MPP-011



9710020  
MPP-022



9710021  
MPG-013



9710024  
MPG-024

## / Button modules

CODE	MODEL	DESCRIPTION
<b>1 window</b>		
9710017	MPP-011	1 single button
9710018	MPP-021	1 double button
9710019	MPP-012	2 single buttons
9710020	MPP-022	2 double buttons
<b>2 windows</b>		
9710021	MPG-013	3 single buttons
9710023	MPG-023	3 double buttons
9710022	MPG-014	4 single buttons
9710024	MPG-024	4 double buttons

Includes patch cords required for standard single rack mounting.



9710025  
MLP-000



9710026  
MCP-000

## / Other modules

CODE	MODEL	DESCRIPTION
<b>1 window</b>		
9710025	MLP-000	iACCESS proximity reader module
9710028	MTP-000	Cardholder module
9710026	MCP-000	Blind module
<b>2 windows</b>		
9710029	MTG-000	Double cardholder module
9710027	MCG-000	Double blind module

Includes patch cords required for standard single rack mounting.

# Accessories and tools



9730106  
HST-002

## / Accessories and tools

CODE	MODEL	DESCRIPTION
9730106	HST-002	Front removal tool required to remove the entrance panel
9770078	RVE-027	Patch cord between modules, 110 mm
9770079	RVE-028	Patch cord between modules, 350 mm
9770080	RVE-029	Patch cord between modules, 750 mm
9770084	RVE-033	Patch cord between modules, 1.000 mm



9710025  
MLP-000



9690001  
LAC-000



9690040  
LAC-200



9690010  
PLO-000

# iACCESS

## / iACCESS

CODE	MODEL	DESCRIPTION
9710025	MLP-000	Módulo lector iACCESS

## / RFID keys for neighbours

CODE	MODEL	DESCRIPTION
<b>Keychain format</b>		
9690018	LAC-020	Set of 5 keys for single house (no. 0, 1, 2, 3 and 4)
9690001	LAC-000	10 no. 0 keys
9690002	LAC-001	10 no. 1 keys
9690003	LAC-002	10 no. 2 keys
9690004	LAC-003	10 no. 3 keys
9690005	LAC-004	10 no. 4 keys
9690006	LAC-005	10 no. 5 keys
9690012	LAC-006	10 no. 6 keys
9690013	LAC-007	10 no. 7 keys
9690014	LAC-008	10 no. 8 keys
9690015	LAC-009	10 no. 9 keys
<b>Card format</b>		
9690040	LAC-200	10 cards

## / RFID special keys

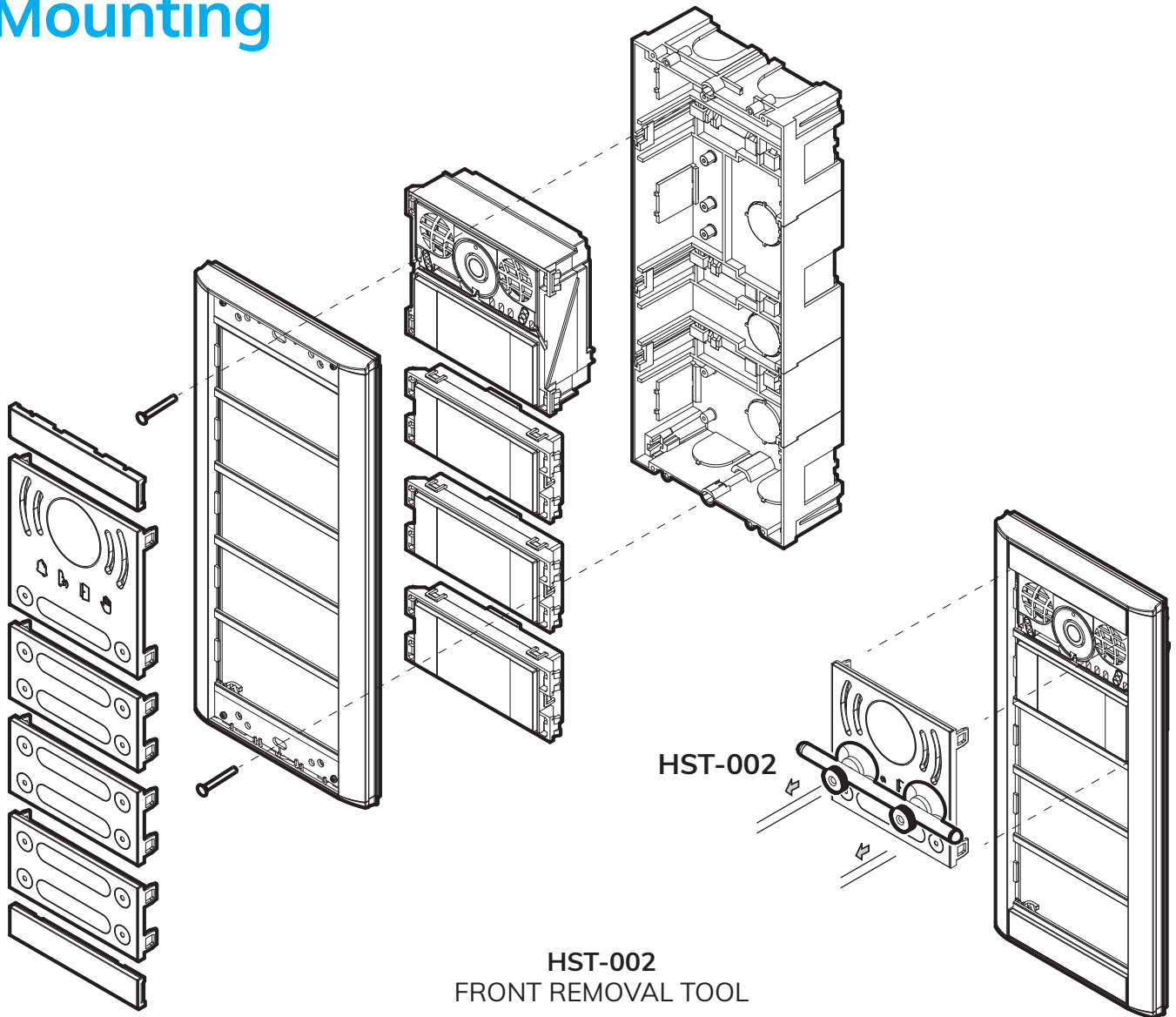
CODE	MODEL	DESCRIPTION
<b>Keychain format</b>		
9690016	LAC-010	For configuration of the MLP-000 module
9690017	LAC-011	For access to multiple facilities

## / iACCESS

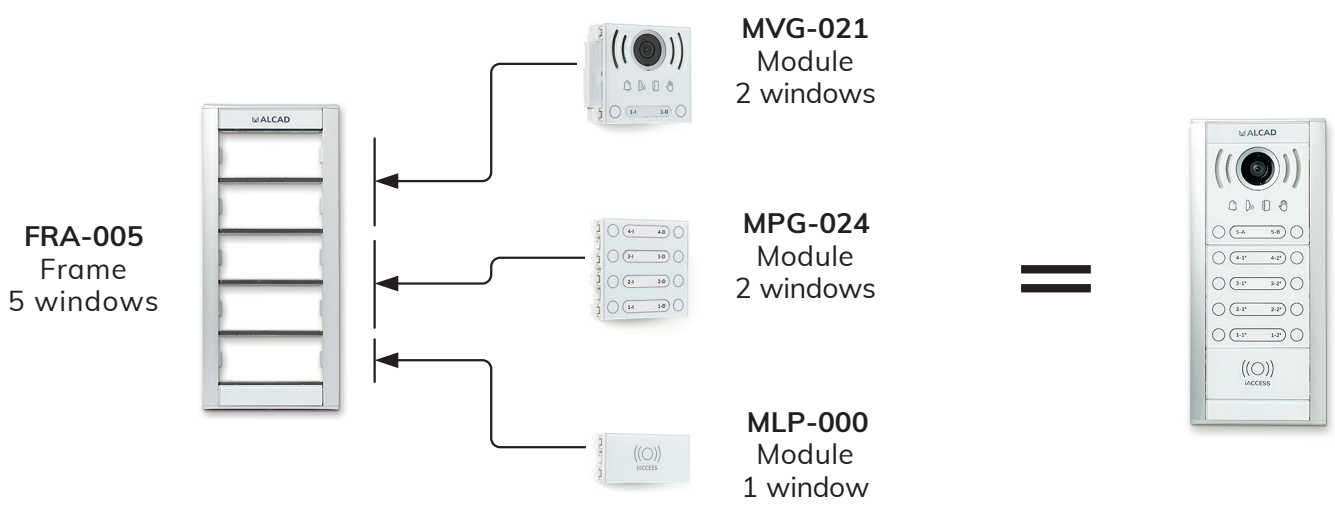
### key programmer

CODE	MODEL	DESCRIPTION
9690010	PLO-000	USB proximity key programmer

# Mounting



# Composition example



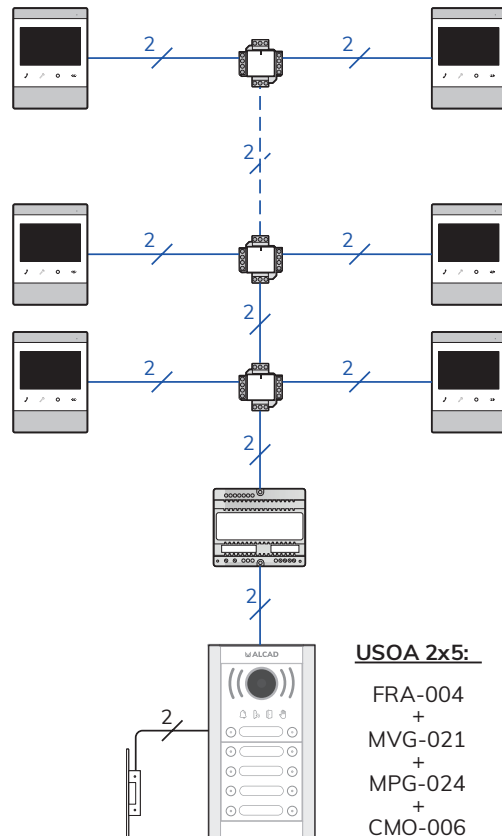
# Standard quotes

## STANDARD INSTALLATION. 1 ACCESS POINT

No of Flats	MODEL																											
	MVC-141	FRA-003	FRA-004	FRA-005	FRA-008	MVG-000	MVG-011	MVG-021	MTG-000	MTP-000	MPP-012	MPP-021	MPP-011	MPP-022	MPG-014	MPG-024	ALS-020	DIV-061	DIV-464	DIV-017	CEM-001	CMO-004	CMO-006	CMO-008	CMO-014	RVE-028	RVE-029	ABR-011
1x3	3	1				1			1								1	3		1		1						1
2x3	6	1					1							1			1		3			1						1
2x4	8	1			1											1	1		4			1						1
2x5	10	1				1										1	1		5			1						1
2x6*	12		1	1										1	1	1		6				1						1
3x4	12	2			1		1							1	1	1		4		1	2			1				1
3x5	15	2				1	1			1				1	1	1		5		1	2			1				1
3x6	18	2		1		1	1			1				1	1	1		6		1		2		1				1
4x4	16	2			1		1									2	1		4		1	2			1			1
4x5	20	2				1	1	1								2	1		5		1	2			1			1
4x12	48			2	1		1									6	1	12		1					1		2	1

\* Installation for 2 flats per storey and 6 storeys.

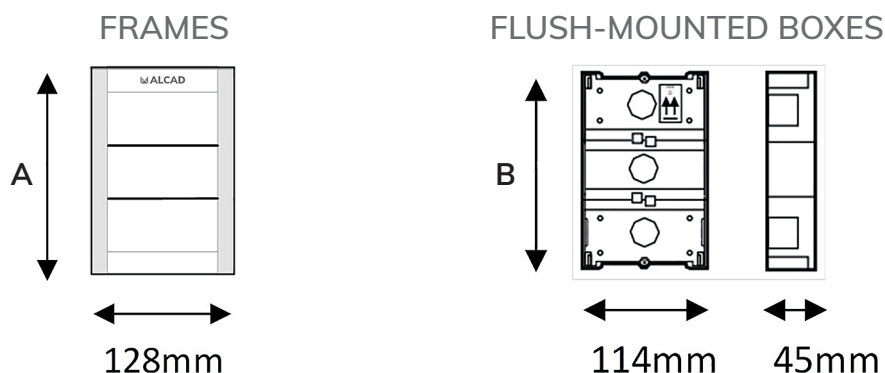
## DIAGRAM. 1 ACCESS POINT



### USOA 2x5:

FRA-004  
+  
MVG-021  
+  
MPG-024  
+  
CMO-006

# Dimensions



No. windows	2	3	4	5	6	7	8	9	10
FRAME	FRA-002	FRA-003	FRA-004	FRA-005	FRA-006	FRA-007	FRA-008	FRA-009	FRA-010
A (mm)	147	195	243	291	339	387	435	483	531
FLUSH-MOUNTED BOXES	CMO-002	CMO-004	CMO-006	CMO-008	CMO-010	CMO-012	CMO-014	CMO-016	CMO-018
B (mm)	131	179	227	275	323	371	419	467	515

# INDOOR UNITS WITH ACTIVE VIEW TECHNOLOGY FOR YOUR NEW USOA ENTRANCE PANEL



9630087 MVC-141

9630086 MVC-018



\* Digital handset (audio only)

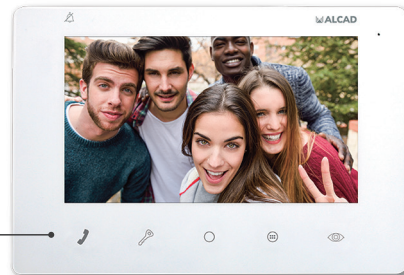


9630034 TET-002  
9630036 TET-004  
9630042 TET-302

9630085 MVC-017



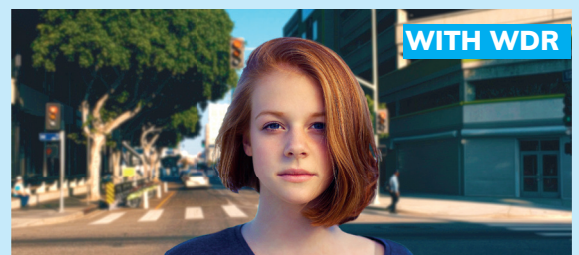
9630084 MVC-151



## COLOURS as you had never seen before

Our new **ACTIVE VIEW** camera for 2-WIRE system offers astonishing quality, even in backlight conditions, glare and sudden changes in brightness thanks to its WDR function.

Its **colour and image sharpness** are so incredible that it will be difficult to stop looking.





## WITH ALL OUR GUARANTEE



### Experience

ALCAD Electronics, a Spanish manufacturer with more than 30 years of experience



### Innovation

We have our own R&D laboratory



### Variety

Complete catalogue of products with the highest quality



### Closeness

Direct attention to the installer from 40 national delegations and 3 subsidiaries



### Commitment

"Immediate" spare parts delivery service to the installer



### Compatibility

Development of new products compatible with those already installed



### After sales service

Direct technical assistance service from the factory to the installer